

BLUEBOX UHF – Controller CX

2 CH



iDTRONIC's BLUEBOX Controller & Antenna family is well suited for industrial and enterprise applications, where reliable, robust and well performing products are needed. All components are designed as a powerful combination for an easy and cost efficient system installation.

The BLUEBOX UHF - Controller CX read/write device with two external antenna ports operates in the UHF frequency band 865 MHz – 928 MHz (ETSI/FCC Standard)

This powerful UHF Controller can achieve reading distances of up to 8 meter with software adjustable RF power of max 30dBm. The CX communicates with a host (typically a PC or PLC) via RS232/485 or Ethernet interface.

iDTRONIC's BLUEBOX UHF - Controller CX is available with M12 or Amphenol RJ45 connectors. A Real Time Clock is optional.

Applications

- Industrial / Parking Automation
- Logistics / Data Collection
- Robotics

Features

- Up to two external antennas
- Antenna auto-tuning
- RS232/485 or Ethernet interface 10-100M
- Internal USB Service interface
- Real Time Clock (option)
- Two digital opto-isolated inputs (option)
- Two digital relay output (option)
- Three signal LEDs
- M12 or RJ45 connector
- ANSI C software library
- Upgradeable firmware
- Includes test and configuration software
- Stand Alone possible
- Standard ISO 18000-6C (EPC C1G2)
- IP67



Electrical Features

Supported Transponder	ISO 18000-6C (EPC C1 G2)
Power Supply	10 – 36 Vdc, PoE
Power Ratings	15W @30dBm
Operating Frequency	865MHz – 928 MHz, software programmable
Output Power	Max 1 W (30dBm), 1dBm step software programmable
Antenna	Up to two external
Antenna Connector	TNC-female (50 Ω)
Reading Distance	Up to 8m
Communication Interface	RS232, RS485, Ethernet 10 – 100M
Service Interface	USB VirtualCom (Internal)
Digital Inputs	2 opto-isolated inputs, 10 – 36 Vdc, max 20 mA @24Vdc
Digital Outputs	2 relay outputs, 1A@30Vdc, 0.5A@125Vac
Status Display	3 LEDs
Connectors	M12 Amphenol RJ45

Mechanical Features

Dimensions	110 x 140 x 60 mm
Material	Die-cast aluminium, plastic
Class Protection	IP67

Environmental Conditions

Operating Temperature	-20°C...+65°C
Humidity	Up to 95%, non-condensing

Applicable Standards

EMC	EN 301 489-3
Radio Regulation	EN 302 208-2
Safety	CEI EN 60950-1 CEI EN 50364

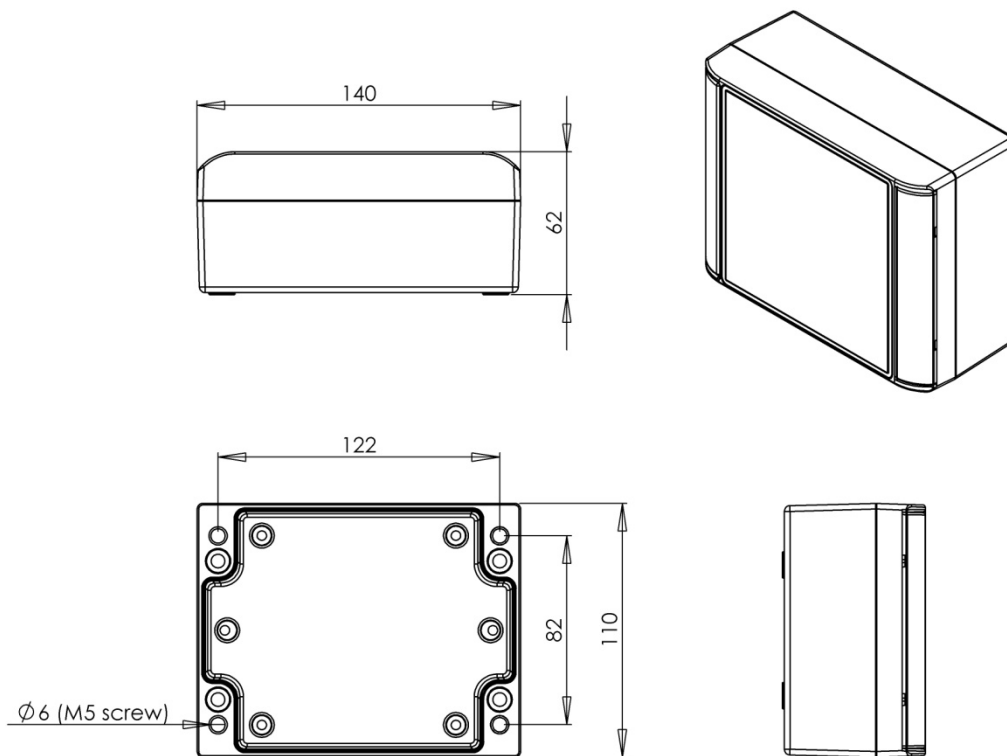


Ethernet connection with M12 D-coded



Ethernet connection with Amphenol RJ45

Mechanical View and Dimensions (in mm)



(Enclosure without connectors)

Order Codes

Amphenol RJ45
Amphenol RJ45

RS232/485 ETH
RS232/485 ETH + Real Time Clock

R-IN-UHF-5345U
R-IN-UHF-5345U-RTC

M12
M12

RS232/485 ETH
RS232/485 ETH + Real Time Clock

R-IN-UHF-5346U
R-IN-UHF-5346U-RTC